

20.1" LCD Single Rail Console with Modular KVM Switch

Quick Installation Guide

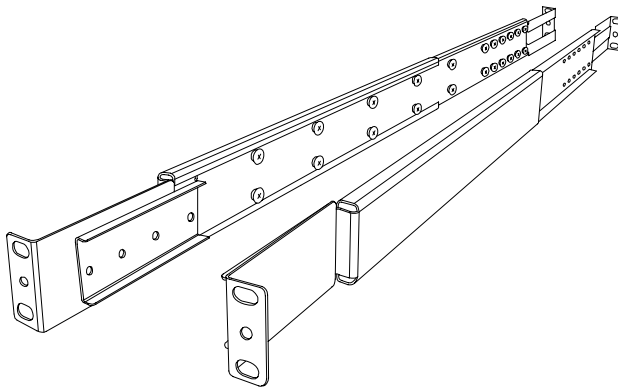
Rev 1.0

Notes:

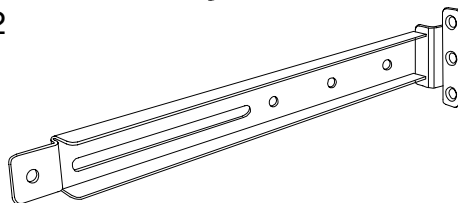
1. Please check all peripherals according the list before installation. To make sure that the whole unit was not damaged and lost during shipping process. If you encounter any problem, please contact your dealer.
2. Before installation, make sure all peripherals and computer have been turned off.
3. Reliable earthing of rack-mounted equipment should be maintained. Particular attention should be given to supply connections other than direct connections to the branch circuit.

Hardware kits contents:

1. Rail with front and rear bracket x 2.



2. Bracket x 2



3. Screw (length = 6 mm) x 6



4. Screw x 8 (for combine bracket and rail)

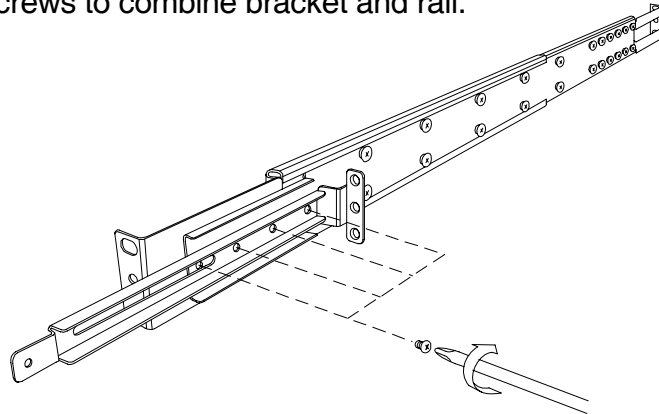


5. Key x 2

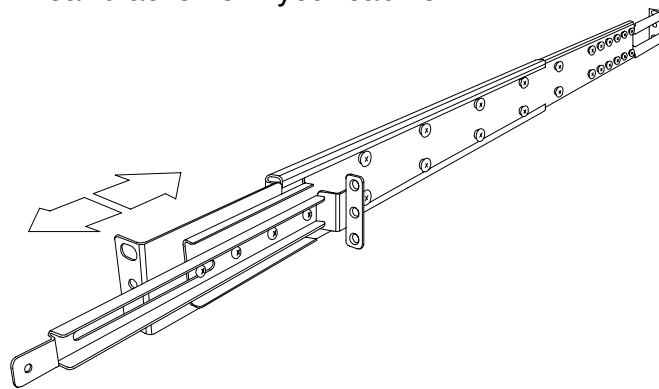


Install console step:

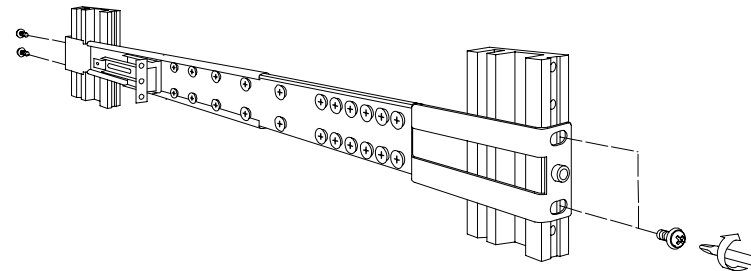
1. Install four screws to combine bracket and rail.



2. Adjust rail with rear bracket to fit your cabinet

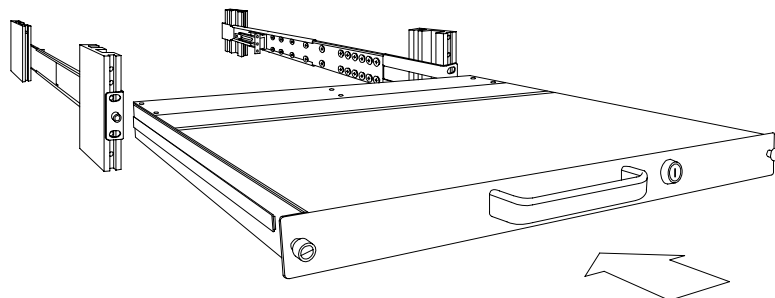


3. Install front and rear bracket on cabinet.

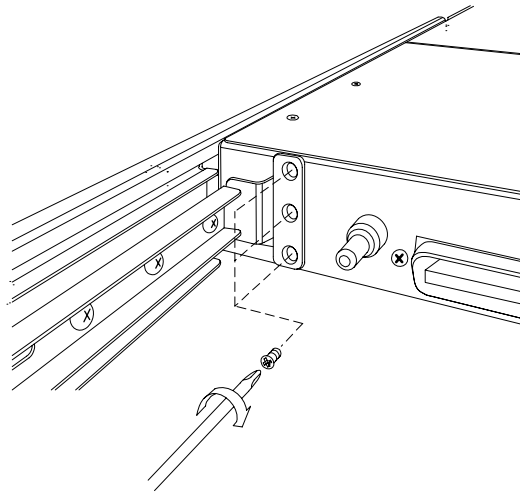


4. Repeat step 1~3 for the other side.

5. Push console into rails and push it to the end.



6. Install three screws (length = 6 mm) in rear of the console (Both sides) and finish installation.



20.1" LCD Single Rail Console with Modular KVM Switch Quick Installation Guide