

# **15 / 17 / 19" LCD Dual Rail Console with Modular KVM Switch**

## **Quick Installation Guide**

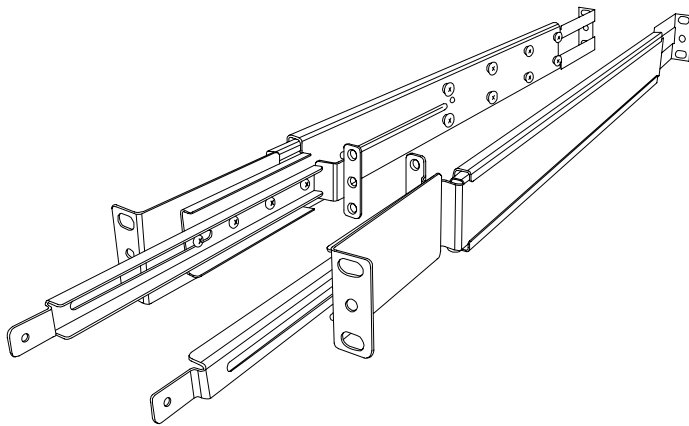
**Rev 1.0**

**Notes:**

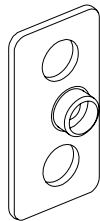
1. Please check all peripherals according the list before installation. To make sure that the whole unit was not damaged and lost during shipping process. If you encounter any problem, please contact your dealer.
2. Before installation, make sure all peripherals and computer have been turned off.
3. Reliable earthing of rack-mounted equipment should be maintained. Particular attention should be given to supply connections other than direct connections to the branch circuit.

**Hardware kits contents:**

1. Rail with front and rear bracket x 2



2. Bracket A x 2



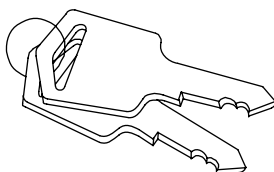
3. Screw x 2



4. Screw (length = 6 mm) x 6

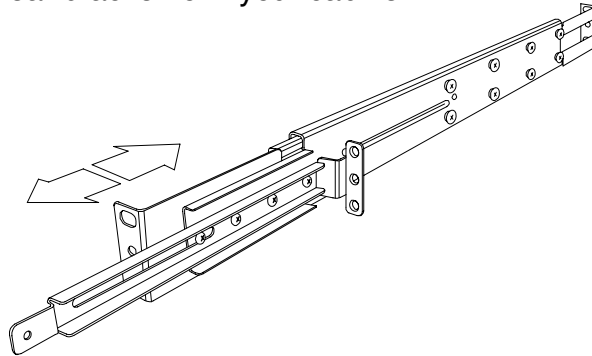


5. Key x 2

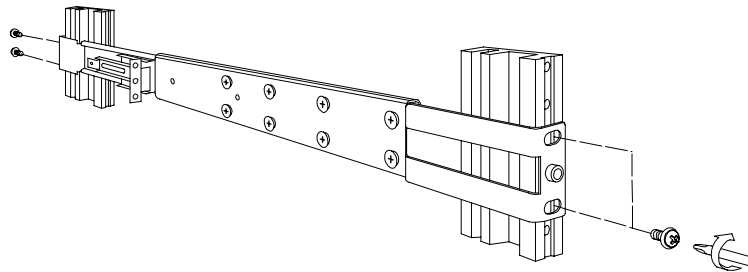


**Install console step:**

1. Adjust rail with rear bracket to fit your cabinet

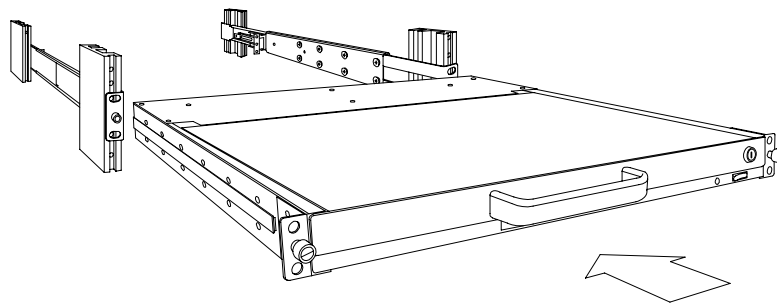


2. Install front and rear bracket on cabinet.

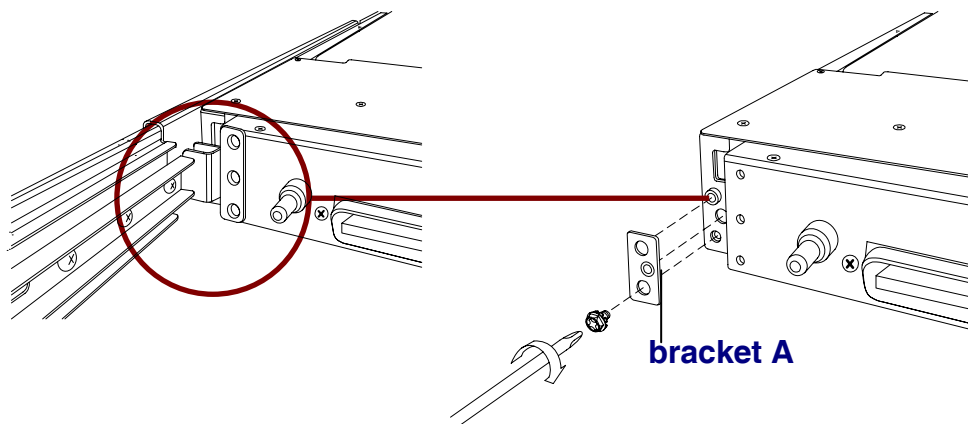


3. Repeat step 1~2 for the other side.

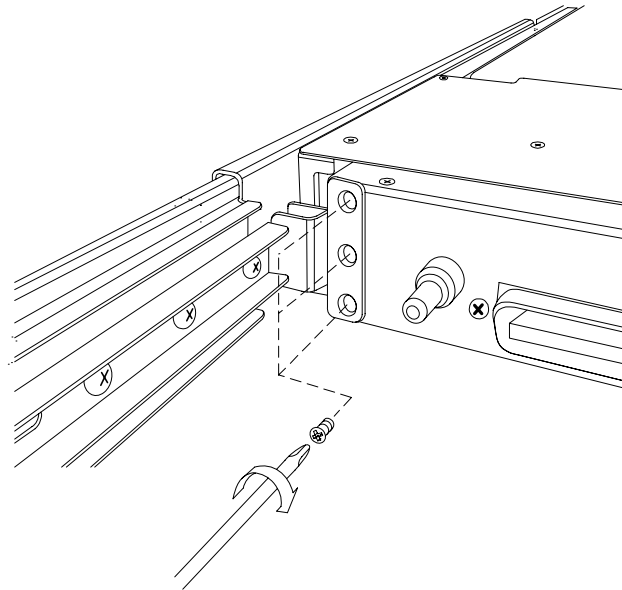
4. Push console into rails and push it to the end.



5. Install a screw to combine bracket A and console. (Both sides)



6. Install three screws (length = 6 mm) in rear of the console (Both sides) and finish installation.



# 15 / 17 / 19" LCD Dual Rail Console with Modular KVM Switch Quick Installation Guide